

## Call Before You Dig

More and more utilities such as electric, gas, and others are placed underground each year. Since these utilities are not readily visible, the potential risk of accidentally digging into them has increased.

Know what's below. Call before you dig.

Before planting a tree, grinding a stump, installing a fence, or digging for any reason, call "Dig Safe" at:

### Calling first could save your life!

You can avoid injuries, damage to underground lines, and delays to your schedule by calling 811 at least 72 hours before you dig or excavate. For more information, visit this website:

## Right Tree, Right Place

When preparing to plant a tree, remember to look up first. Imagine the tree at its mature height, and do not locate large growing tree species anywhere near electrical facilities. Select only compatible, low-growing trees when planting near electrical facilities. When planting, remember to think, "Right Tree, Right Place." If chosen properly, your tree will be able to grow to its natural shape and size unhindered.

## Learn More

For more information on safe work practices and current rules and regulations, please refer to the following sources:

- Occupational Safety & Health Administration (OSHA)  
[www.osha.gov](http://www.osha.gov)  
Toll-Free: 1-800-321-OSHA (6742)
- American National Standards Institute (ANSI)  
[www.ansi.org](http://www.ansi.org)  
Phone: 1-202-293-8020
- Tree Care Industry Association (TCIA)  
[www.treecareindustry.org](http://www.treecareindustry.org)  
Toll-Free: 1-800-733-2622

## Contact Us Before Performing Work Around Electric Facilities

Your local utility is committed to providing safe and reliable electric service. If you are going to perform work around electrical facilities and have concerns about the safety of the situation, contact the following number at least three business days in advance of your work:



Brochure made available by the  
Utility Arborist Association  
[www.gotoUAA.org](http://www.gotoUAA.org)

# Safety Requirements for the Tree Care Profession

Life-saving information for property owners and tree care workers performing work near electrical facilities

Remember,  
**SAFETY FIRST!**

Make certain you are qualified for work you have been hired to perform. Contact your local electric utility to discuss work before you initiate a job near energized lines and equipment.



## Introduction

Each year, people are seriously injured or killed by coming into contact with electrical facilities (power lines, poles, hardware, etc.) while performing tree work. A surprising number of professionals, do not realize that workers must be qualified to work within 10 feet of energized electrical wires and equipment. This rule is part of a series of standards put in place by the Occupational Safety and Health Administration (OSHA) to protect those who work near energized facilities.

## Selecting the Proper Professional

Unqualified tree workers must always maintain a Minimum Approach Distance (MAD) of at least 10 feet, or greater distance depending upon voltage, from overhead power lines and all energized electrical equipment.

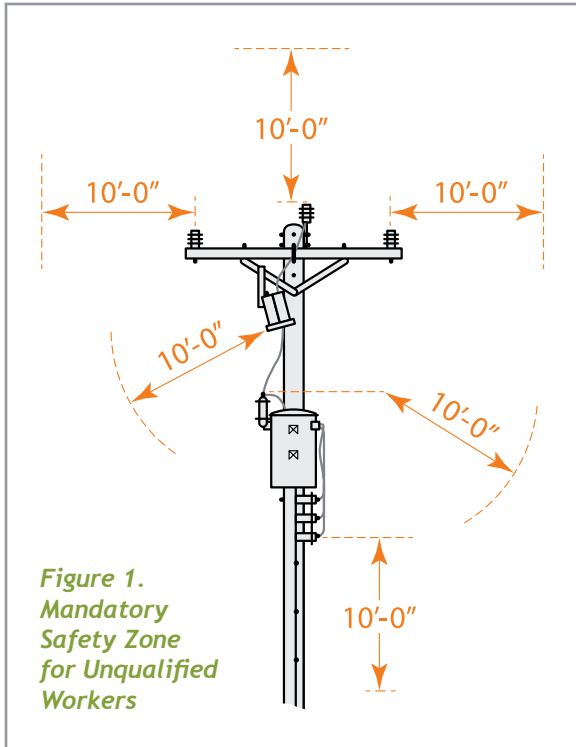


Figure 1 shows the configuration of a typical electrical distribution pole. Notice that there is plenty of energized equipment on a utility pole to avoid, in addition to the highest wires.

Unqualified tree workers must always stay clear by at least 10 feet from all energized components including, but not limited to, transformers, switches, fuses, secondary conductors, and service drops.

At all times during tree work activities, the safety clearance zone of 10 feet around the energized facilities cannot be entered by:

1. Unqualified tree workers
2. Any portion of the tree or other vegetation being worked
3. Any part of equipment being used to perform the work, i.e. aerial lifts, pole pruners, saws, etc.

Remember to treat all lines as if they are energized at all times. A street light conductor, cable TV wire, guy wire, even a telephone line can be energized with enough voltage to kill. However, death doesn't only occur from directly contacting an energized conductor. Indirect contact, such as when a person touches a branch,

tool, or piece of equipment that is in contact with an energized conductor, can be equally fatal.

Qualified line-clearance tree trimmers are tree workers who have received specialized training that qualifies them to work safely within 10 feet of energized power lines and equipment. Even with special training, qualified line clearance tree trimmers have OSHA guidelines to follow regarding how close they may approach energized conductors.

## Electrical Hazards Awareness Programs (EHAP) for Tree Workers

When electrical accidents occur, an OSHA investigator will ask the tree worker's employer if electrical safety training was provided and documented.

When the tree worker's employer provides EHAP—a professional safety training program as offered by the Tree Care Industry Association (TCIA)—the employees will have been trained in the recognition of electrical hazards. EHAP training does not allow workers to operate within the minimum approach distance of 10 feet or more for utility lines. This training can help enhance the requirements of OSHA regulation 1910.269 that include:

1. Employer-certified training
2. On-the-job training and verification

EHAP training will also help towards fulfilling the American National Standards Institute (ANSI) Z133.1 Safety Standard, which requires that all employees be trained to recognize electrical hazards.

Employers whose employees have the potential of working in proximity of energized conductors must develop and administer an ongoing safety and training EHAP program.